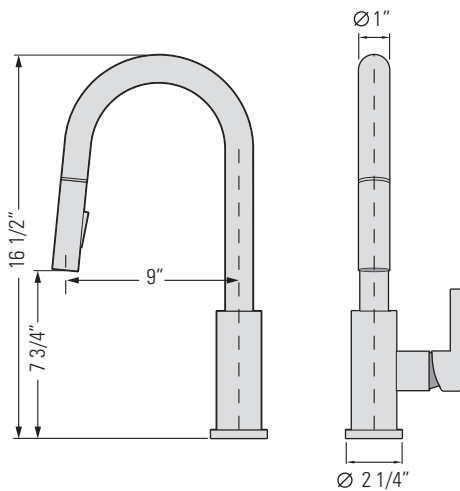




## DAMIEN



### FINISHES

Matte Black (GBF893)

### DIMENSIONS

9" x 2 1/4" x 16 1/2"

### FEATURES

- Intuitive single-handle lever
- Flexible pull-out spout
- Integrated dual variable spray
- Swivel deck design
- Rust-proof internals
- Ceramic cartridge

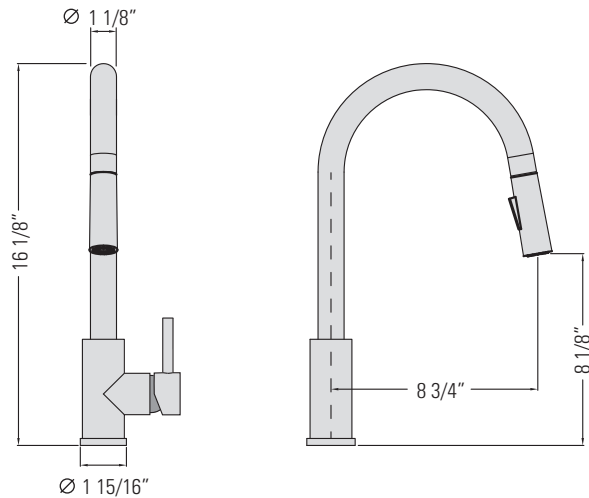
### FLOW

8.3 L/min (2.2 gal/min) at 60psi  
Direct Flow

### INSTALLATION

- Counter Gasket
- Lock Clamp and Nut
- Ø1 3/8" to Ø1 1/2" Hole Required
- Counter weight

## DAMIEN II



### FINISHES

Matte Black (GBF893B)

### DIMENSIONS

8 3/4" x 1 15/16" x 16 1/8"

### FEATURES

- Intuitive single-handle lever
- e-Control™ forward lever system
- Magnetic head
- Flexible pull-out spout
- Integrated dual variable spray
- Swivel deck design
- Rust-proof internals
- Ceramic cartridge

### FLOW

8.3 L/min (2.2 gal/min) at 60psi  
Direct Flow

### INSTALLATION

- Counter Gasket
- Lock Clamp and Nut
- Ø1 3/8" to Ø1 1/2" Hole Required
- Counter weight