

Galaxy Base Cabinet Pullout

Technical Specifications & Assembly

Galaxy Base Cabinet Pullout



Product Features

The Base Cabinet Pullout provides an easy-to-access kitchen storage solution. The new White / Chrome finish elevates the level of beauty while not distracting from the other finishes and focal points in the kitchen.

- Door mount bracket includes 6-way adjustment
- Dual-Side Mount for extra stability
- Spacer kit included for easy installs in Imperial or Metric cabinet widths
- Includes snap-on bottle dividers
- Anti-slip melamine bottom baskets are TSCA Title VI compliant
- Load capacity: 30kg (66lbs)
- Anthracite Grey and White / Chrome

Complete Kit for 150mm or 6" cabinets

Description	Finish	Part#
W x H x D 107 x 550 x 468mm (4 ³ / ₄ x 21 ⁵ / ₈ x 18 ⁷ / ₁₆ "	Anthracite Grey	041-VGSB630-AG
W x H x D 107 x 550 x 468mm (4 ³ / ₄ x 21 ⁵ / ₈ x 18 ⁷ / ₁₆ "	White / Chrome	041-VGSB630-WHC

Complete Kit for 200mm or 8" cabinets

Description	Finish	Part#
W x H x D 157 x 550 x 468mm (6 ³ / ₁₆ x 21 ⁵ / ₈ x 18 ⁷ / ₁₆ "	Anthracite Grey	041-VGSB930-AG
W x H x D 157 x 550 x 468mm (6 ³ / ₁₆ x 21 ⁵ / ₈ x 18 ⁷ / ₁₆ "	White / Chrome	041-VGSB930-WHC

Complete Kit for 300mm or 12" cabinets

Description	Finish	Part#
W x H x D 264 x 505 x 468mm (10 ³ / ₈ x 19 ⁷ / ₈ x 18 ⁷ / ₁₆ "	Anthracite Grey	041-VGSBO30-AG
W x H x D 264 x 505 x 468mm (10 ³ / ₈ x 19 ⁷ / ₈ x 18 ⁷ / ₁₆ "	White / Chrome	041-VGSBO30-WHC

Complete Kit for 450mm or 18" cabinets

Description	Finish	Part#
W x H x D 414 x 505 x 468mm (16 ⁵ / ₁₆ x 19 ⁷ / ₈ x 18 ⁷ / ₁₆ "	Anthracite Grey	041-VGSBO45-AG
W x H x D 414 x 505 x 468mm (16 ⁵ / ₁₆ x 19 ⁷ / ₈ x 18 ⁷ / ₁₆ "	White / Chrome	041-VGSBO45-WHC

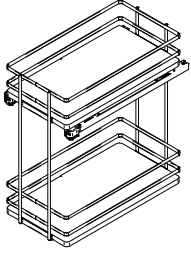
Complete Kit for 600mm or 24" cabinets

Description	Finish	Part#
W x H x D 564 x 505 x 468mm (22 ³ / ₁₆ x 19 ⁷ / ₈ x 18 ⁷ / ₁₆ "	Anthracite Grey	041-VGSBO60-AG
W x H x D 564 x 505 x 468mm (22 ³ / ₁₆ x 19 ⁷ / ₈ x 18 ⁷ / ₁₆ "	White / Chrome	041-VGSBO60-WHC

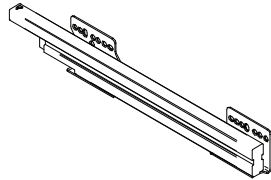


What's In The Box

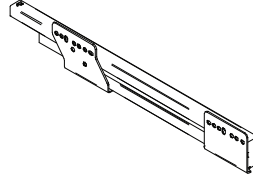
1. x1



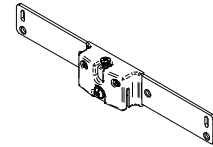
2. x1



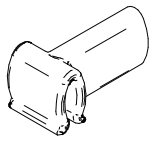
3. x1



4. x2



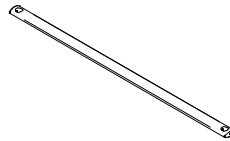
5. x1



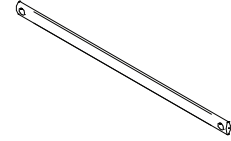
6. x1



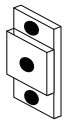
7. x1



8. x1



9. x1



10. x8



Flat Head
Ø4 x 5/8 in

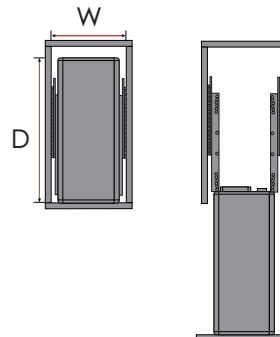
11. x4



Flat Head
Ø4 x 5/8 in

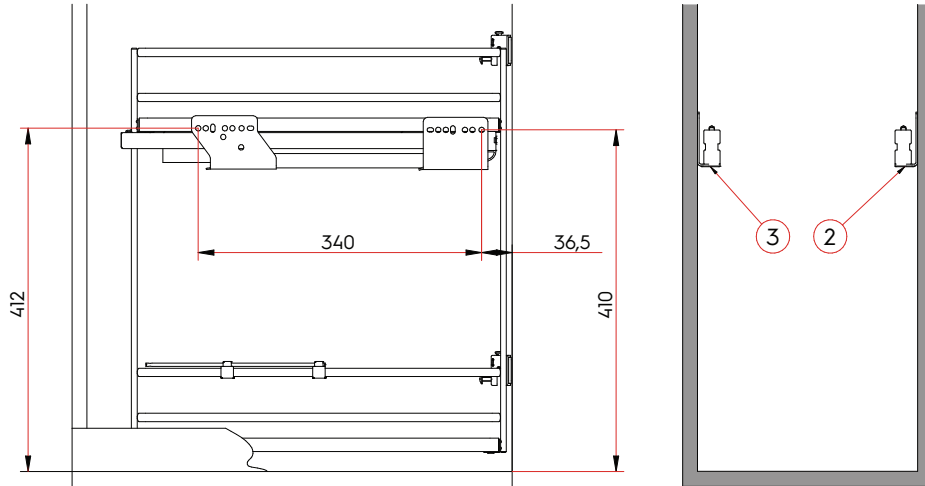
Minimum Interior Cabinet Dimensions

- W x H x D 107 x 550 x 468mm (4 3/4 x 21 5/8 x 18 7/16")
- W x H x D 157 x 550 x 468mm (6 3/16 x 21 5/8 x 18 7/16")
- W x H x D 264 x 505 x 468mm (10 3/8 x 19 7/8 x 18 7/16")
- W x H x D 414 x 505 x 468mm (16 5/16 x 19 7/8 x 18 7/16")
- W x H x D 564 x 505 x 468mm (22 3/16 x 19 7/8 x 18 7/16")

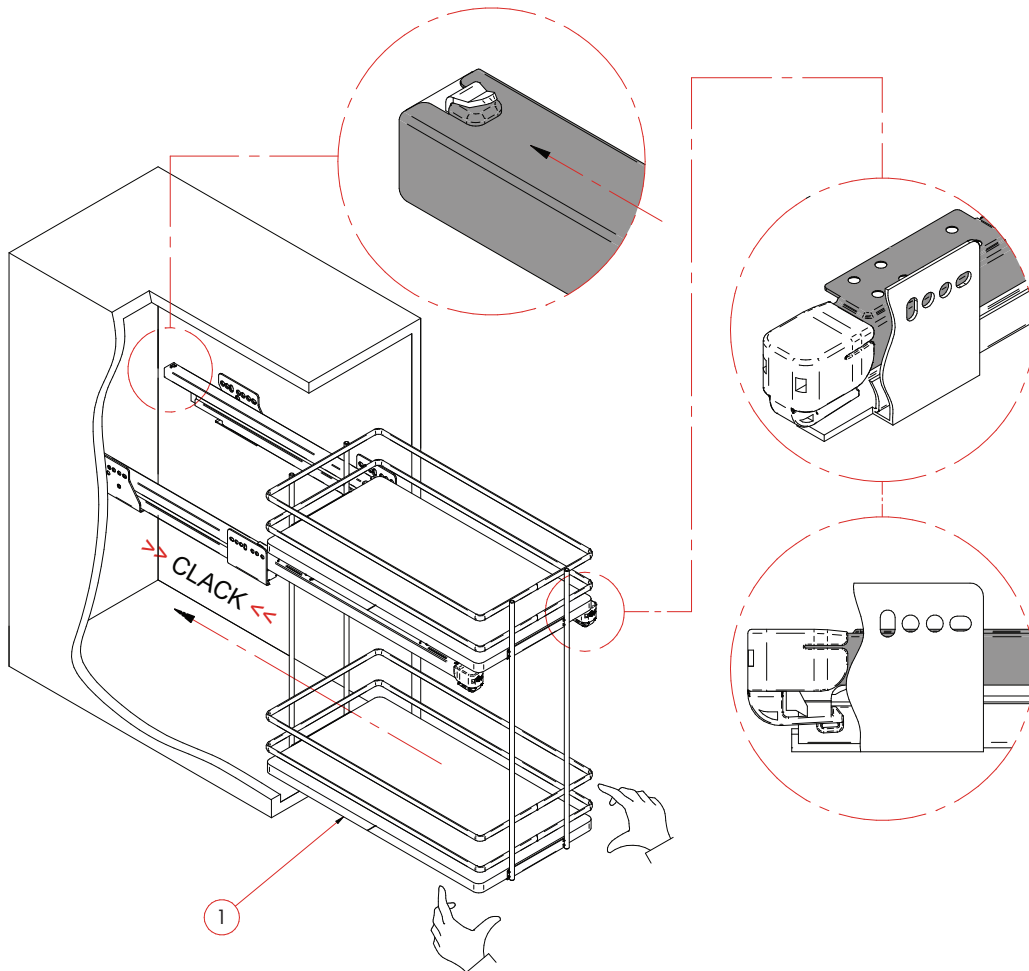




Step #1

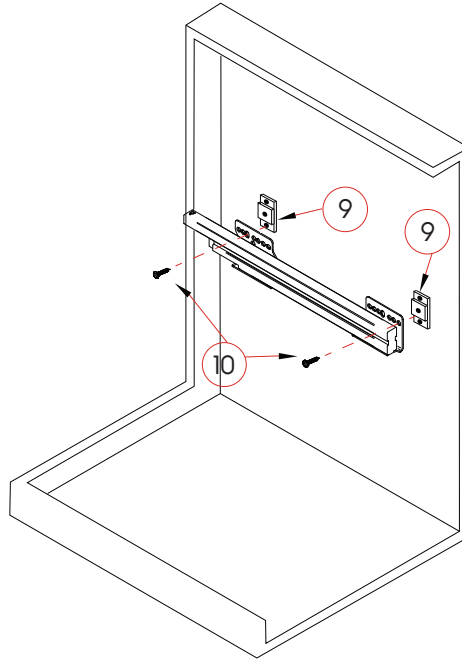


Step #2

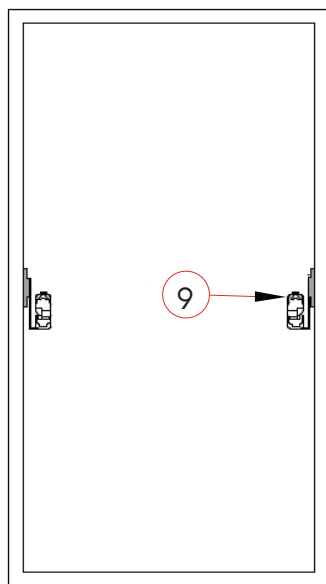




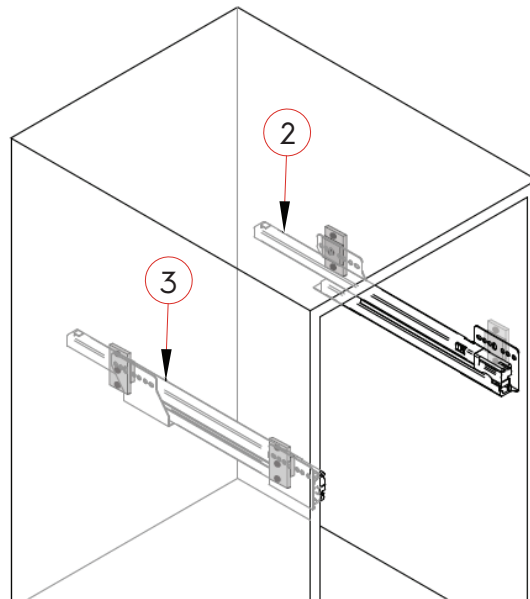
Step #3 (Apply for 18" wide cabinets with $\frac{5}{8}$ " Cabinet)



Step #4 (Apply for 18" wide cabinets with $\frac{5}{8}$ " Cabinet)

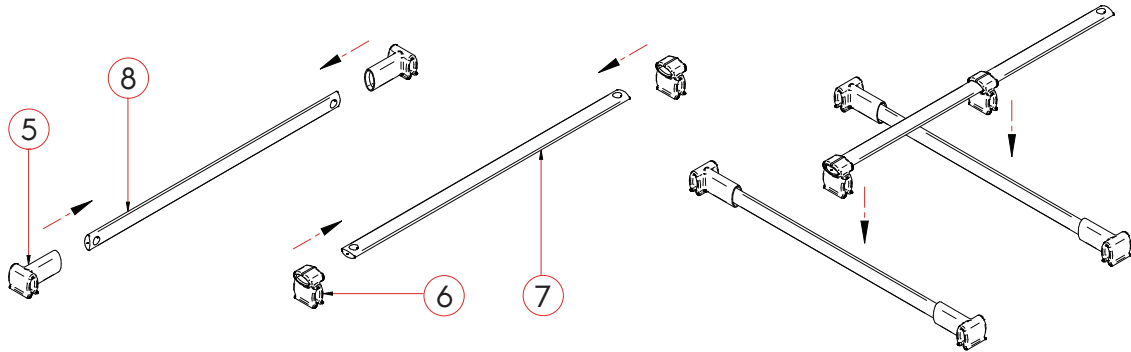


3

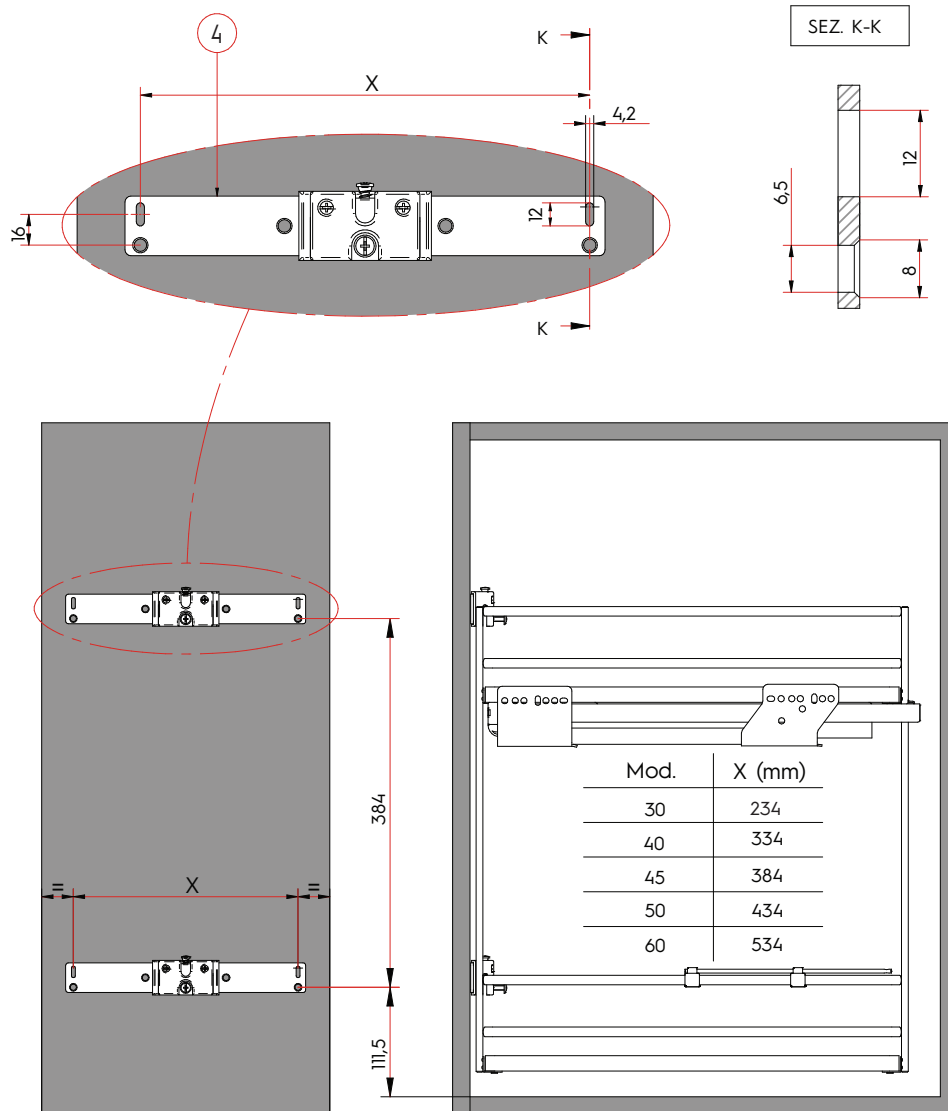




Step #5

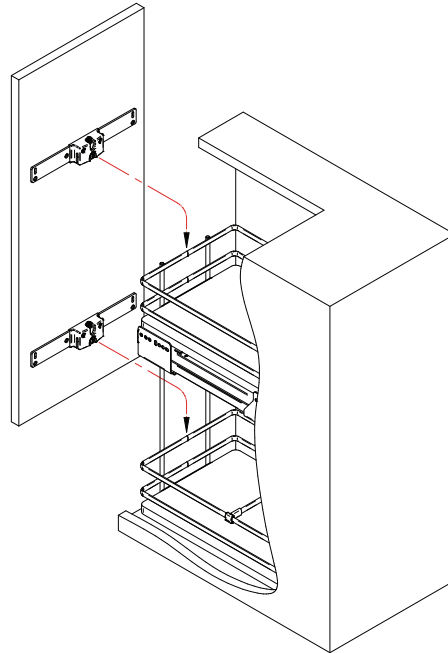


Step #6





Step #7



Step #8

