

## M-Series Eco-Bin for Hinged Doors



## Product Features

The classic waste pullout is the best economical solution for waste recycling in your kitchen. Featuring an integrated cover, and a full-extension slide.

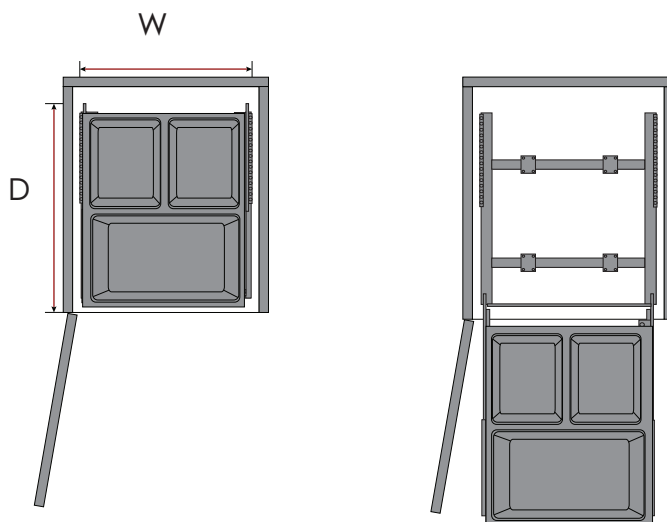
- Bottom mounted for easy installation
- Hinge operated bracket for a pullout application
- Integrated cover to prevent pesky odours
- Hinged door only
- Load capacity: 25kg (55lbs)
- 3 Bin (2 x 10L, 1 x 20L)

## Ordering Guide

Description	Part#
White 344 x 412 x 480mm (13 1/2 x 16 1/4 x 18 7/8")	04-1011-W
Athracite Grey 344 x 412 x 480mm (13 1/2 x 16 1/4 x 18 7/8")	04-1011-AG

## Minimum Interior Cabinet Dimensions

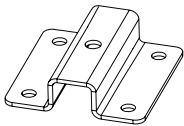
W x H x D 364 x 480 x 500mm (14 3/8 x 18 7/8 x 19 5/8")





### What's In The Box

1. x4

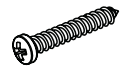


2. x16



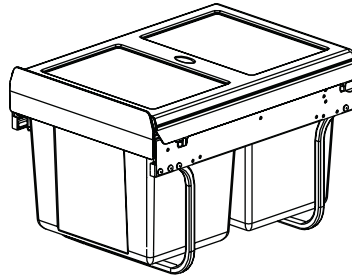
Pan Head #8 x 5/8in

3. x6

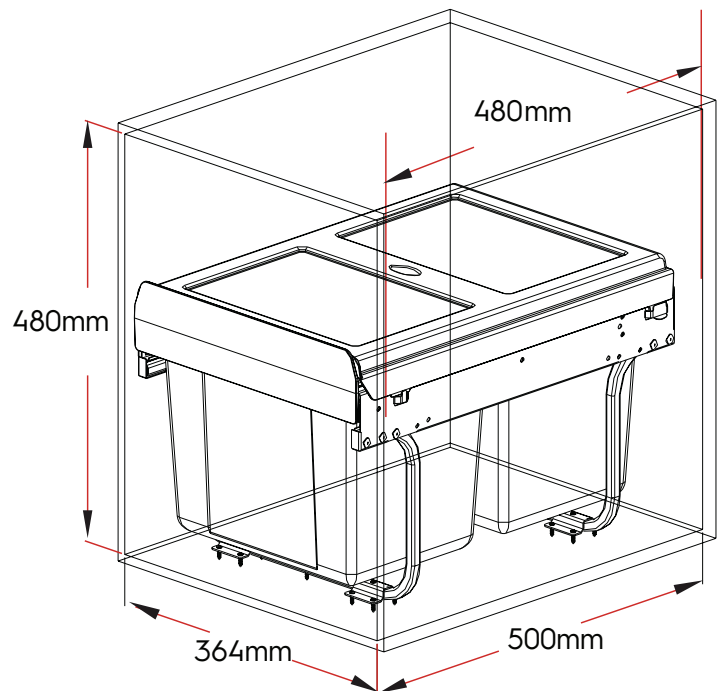
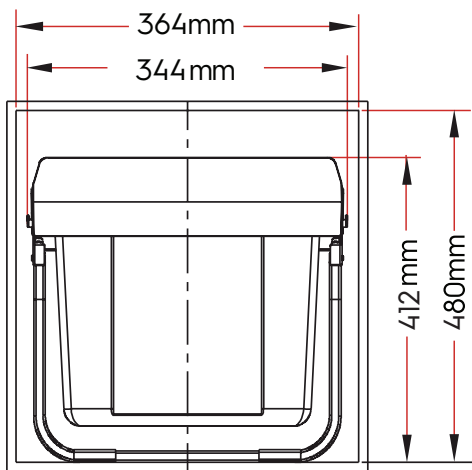


Pan Head #8 x 1in

4. x1

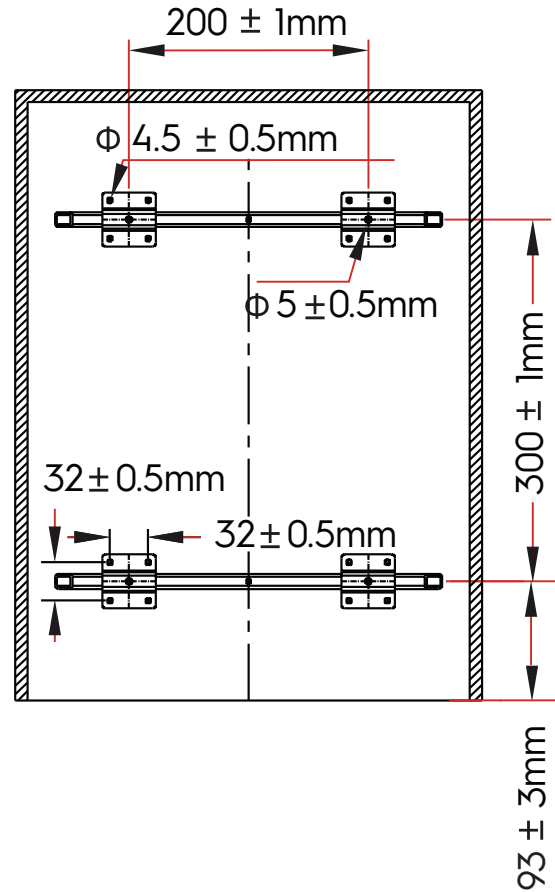
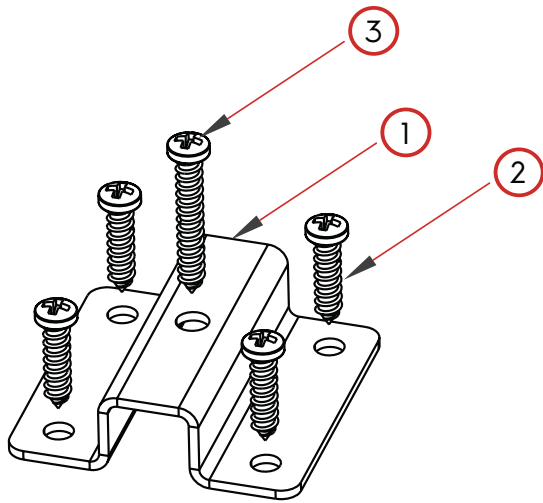


### Internal Cabinet Required Dimensions





### Base Drilling Diagram



**M-Series Eco-Bin for Hinged Doors**



**Product Features**

The classic waste pullout is the best economical solution for waste recycling in your kitchen. Featuring an integrated cover and a full-extension slide.

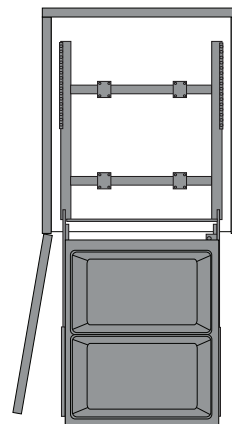
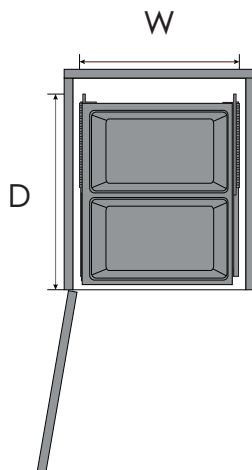
- Bottom mounted for easy installation
- Hinge operated bracket for a pull-out application
- Integrated cover to prevent pesky odours
- Hinged door only
- Load capacity: 25kg (55lbs)
- 2 Bin (2 x 20L)

**Ordering Guide**

Description	Part#
White 344 x 412 x 480mm (13 1/2 x 16 1/4 x 18 7/8")	04-1012-W
Athracite Grey 344 x 412 x 480mm (13 1/2 x 16 1/4 x 18 7/8")	04-1012-AG

**Minimum Interior Cabinet Dimensions**

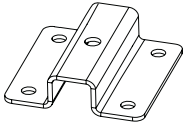
W x H x D 364 x 480 x 500mm (14 3/8 x 18 7/8 x 19 5/8")





### What's In The Box

1. x4

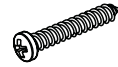


2. x16



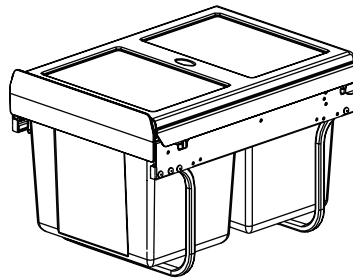
Pan Head #8 x 5/8in

3. x6

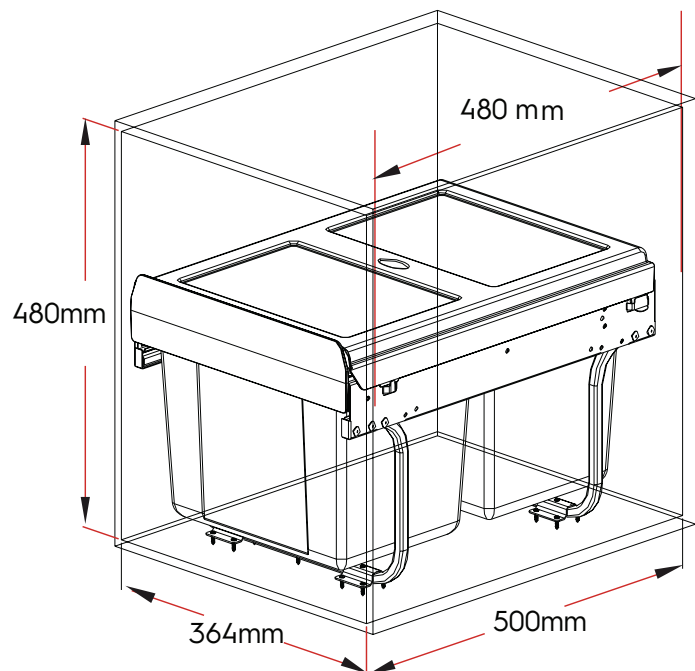
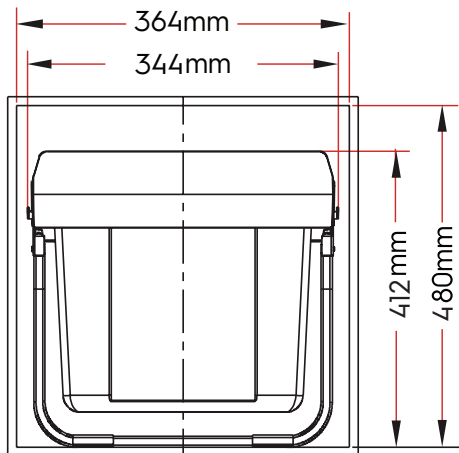


Pan Head #8 x 1in

4. x1

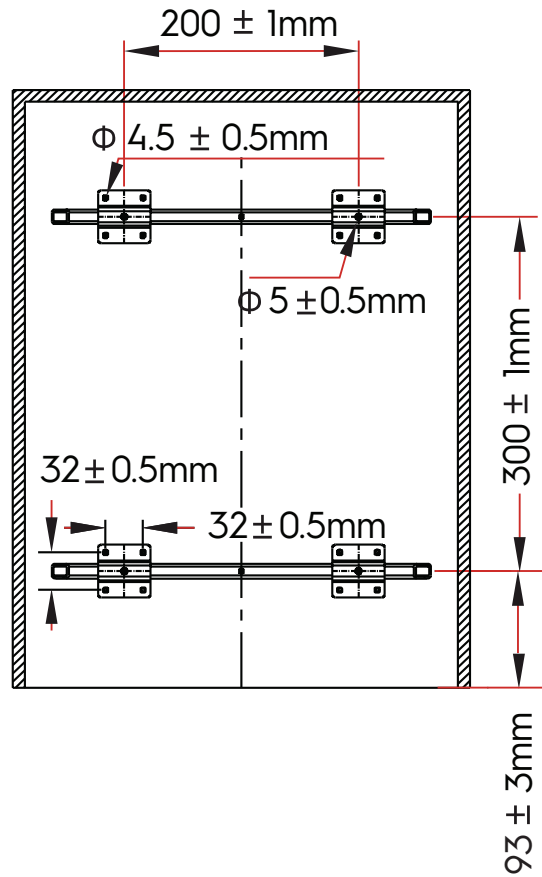
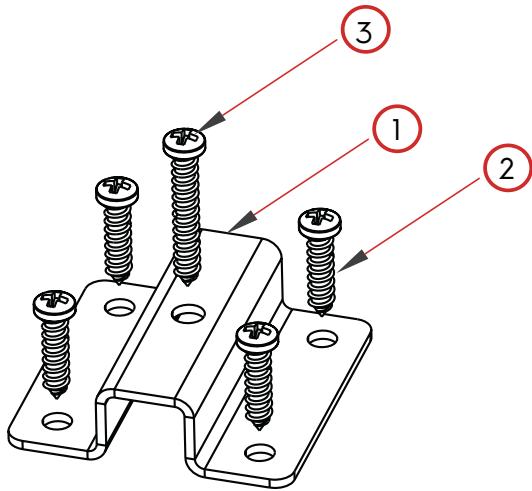


### Internal Cabinet Required Dimensions





### Base Drilling Diagram



**M-Series Eco-Bin Door-Mounted**

**Product Features**



The classic waste pullout is the best economical solution for waste recycling in your kitchen. Featuring an integrated door mount bracket, and a full-extension slide.

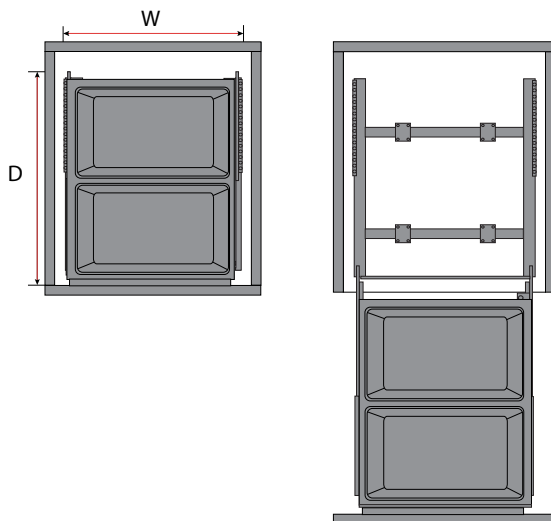
- Bottom mounted for easy installation
- Door-mount bracket for a pull-out application
- Integrated cover to prevent pesky odours
- Load capacity: 25kg (55lbs)
- 2 Bins (2 x 20L)

**Ordering Guide**

Description	Part#
White 402 x 410 x 496mm (15 3/4 x 16 1/8 x 19 1/2")	04-1014-W
Athracite Grey 402 x 410 x 496mm (15 3/4 x 16 1/8 x 19 1/2")	04-1014-AG

**Minimum Interior Cabinet Dimensions**

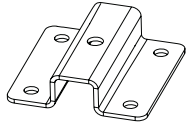
W x H x D 420 x 480 x 510mm (16 1/2 x 18 7/8 x 20 1/16")





### What's In The Box

1. x4

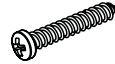


2. x16



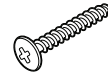
Pan Head  
#8 x 5/8in

3. x6



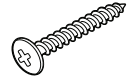
Pan Head  
#8 x 1in

4. x4



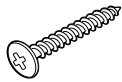
Flat Head  
5/32 x 2in

5. x16



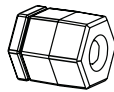
Flat Head  
5/32 x 2 3/8in

6. x4

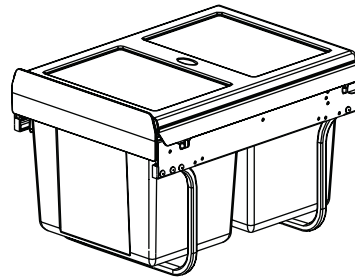


Pan Head  
#8 x 1/2in

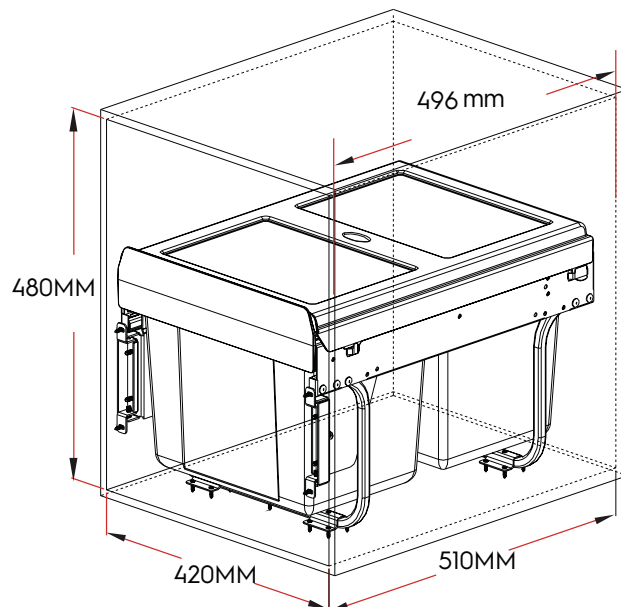
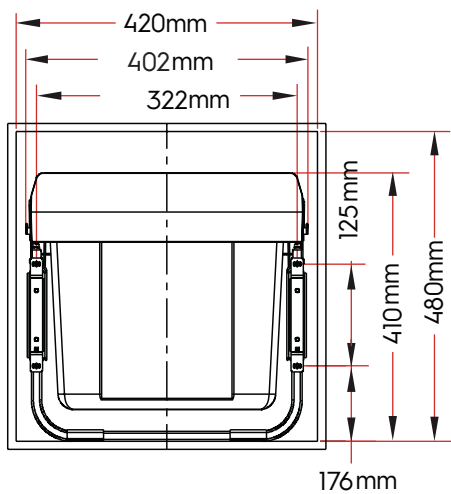
7. x4



8. x1



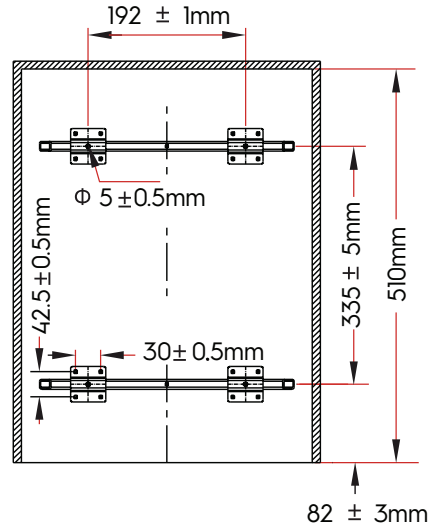
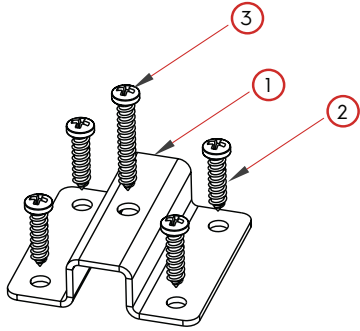
### Internal Cabinet Required Dimensions



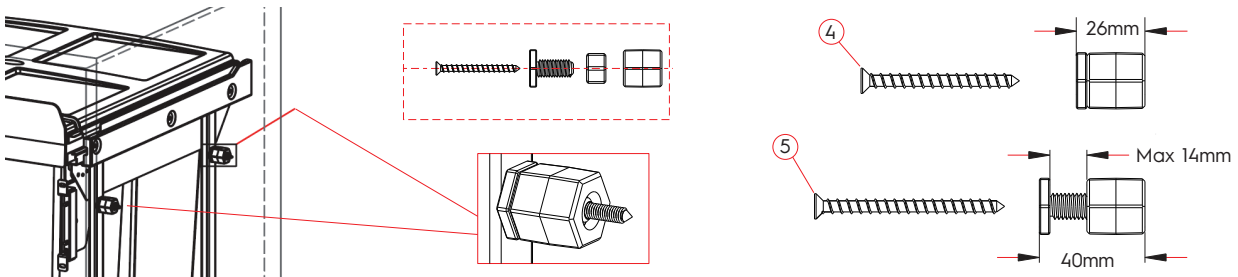




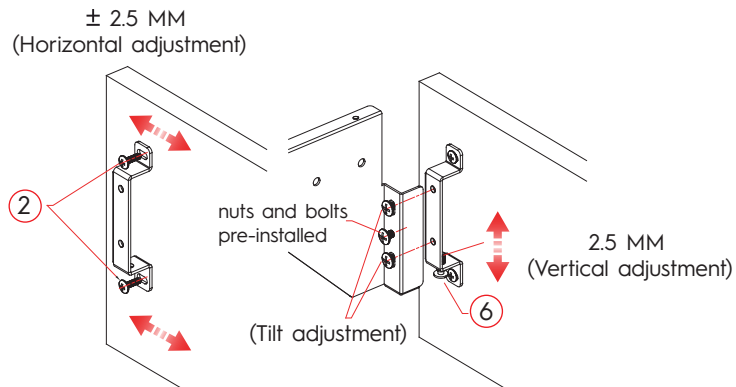
### Bottom Bracket Drilling and Installation



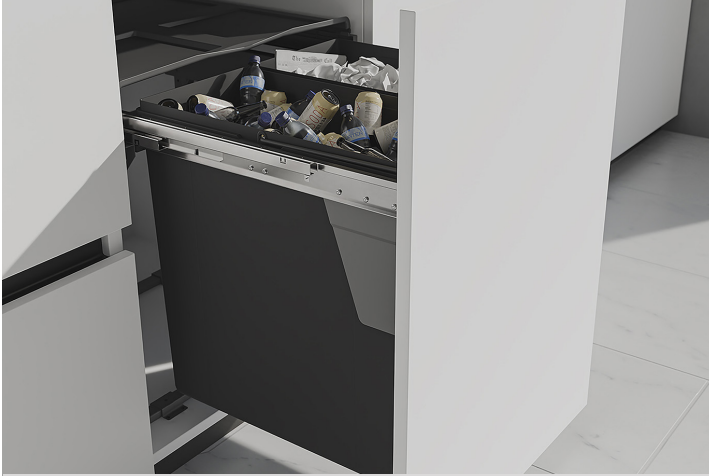
### Side Spacer Installation (optional)



### Door Installation



**M-Series Eco-Bin Max**



**Product Features**

The classic waste pullout is the best economical solution for waste recycling in your kitchen. Featuring an integrated door mount bracket, cover, and a full-extension slide.

- Half-size optional 17L bins (sold separately)
- Can be setup with 2, 3 or 4 bins, picture shows 2 x 34L bins
- Door mount included but hinge door compatible
- Load capacity: 25kg (55lbs)

**Ordering Guide (2x34L bins for 600mm (24") cabinets)**

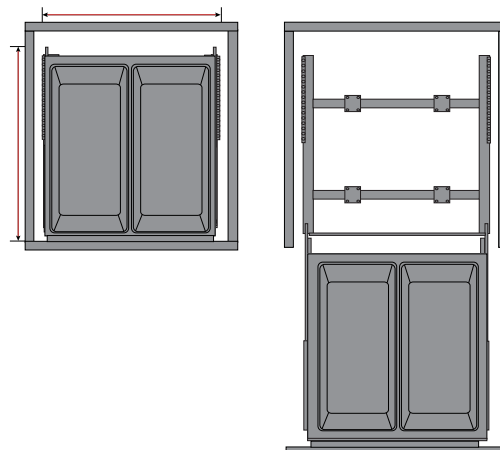
Description	Part#
Anthracite Grey 536 x 537 x 496mm (21 <sup>5</sup> / <sub>8</sub> x 21 <sup>5</sup> / <sub>8</sub> x 19 <sup>1</sup> / <sub>2</sub> " )	04-1016-AG

**Ordering Guide (optional replace one 34L bin with two 17L bins)**

Description	Part#
Anthracite Grey bins	04-1016-AGBIN-17L

**Minimum Interior Cabinet Dimensions**

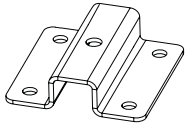
W x H x D 550 x 600 x 510mm (21 <sup>5</sup>/<sub>8</sub> x 23 <sup>5</sup>/<sub>8</sub> x 20 <sup>1</sup>/<sub>16</sub>" )





### What's In The Box

1. x4

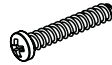


2. x16



Pan Head  
#8 x 5/8in

3. x6



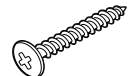
Pan Head  
#8 x 1in

4. x4



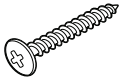
Flat Head  
5/32 x 2in

5. x16



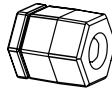
Flat Head  
5/32 x 2 3/8in

6. x4

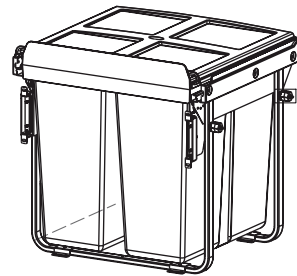


Pan Head  
#8 x 1/2in

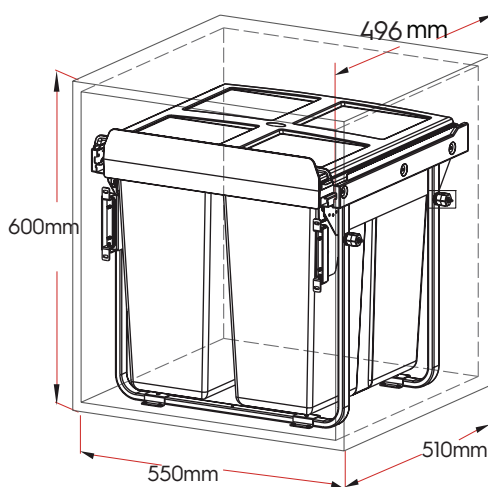
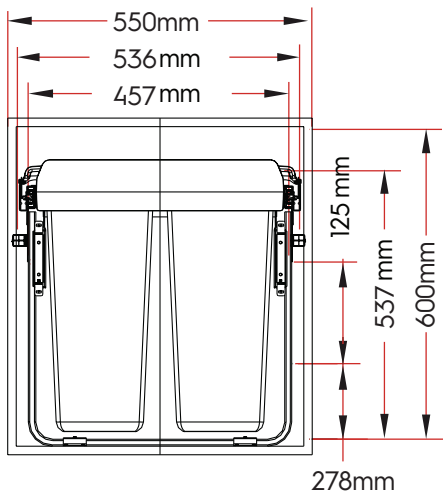
7. x4



8. x1

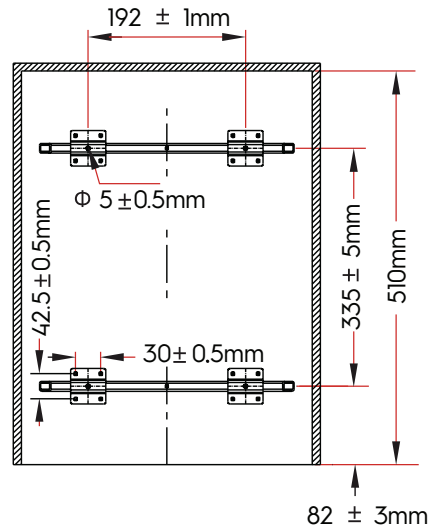
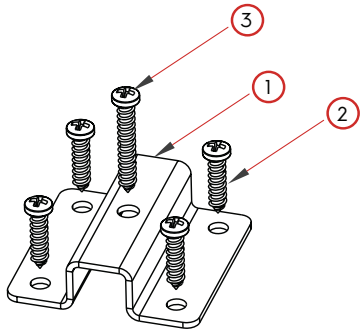


### Internal Cabinet Required Dimensions

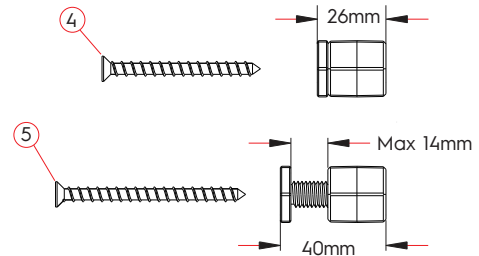
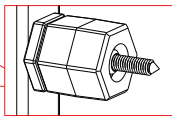
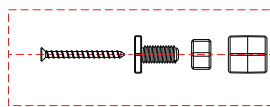
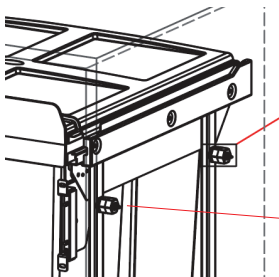




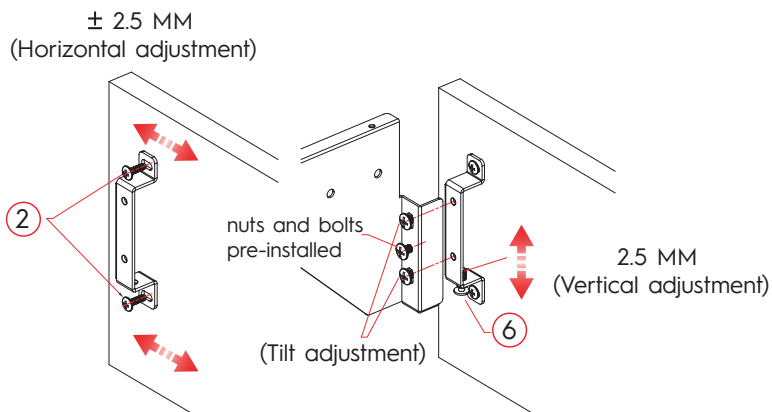
### Bottom Bracket Drilling and Installation



### Side Spacer Installation (optional)



### Door Installation



**M-Series Eco-Bin for Door Mount**



**Product Features**

The classic waste pullout is the best economical solution for waste recycling in your kitchen. Featuring an integrated door mount bracket, cover, and a full-extension slide.

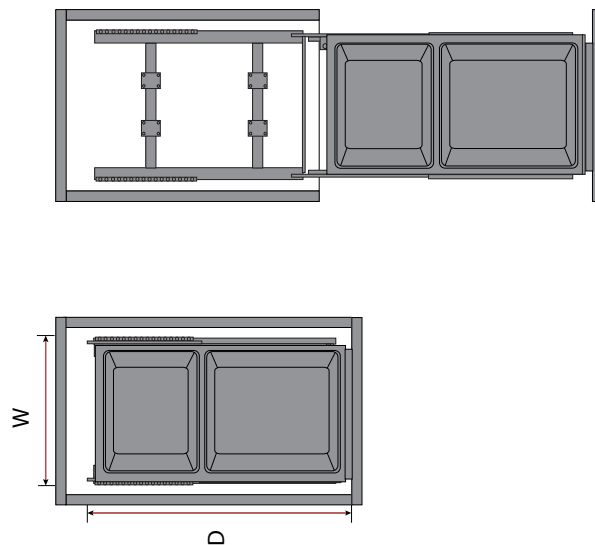
- Bottom mounted for easy installation
- Door-mount bracket for a pullout application
- Integrated cover to prevent pesky odours
- Load capacity: 25kg (55lbs)
- 2 Bins (1 x 10L, 1 x 20L)

**Ordering Guide**

Description	Part#
White 260 x 412 x 480mm (10 1/4 x 16 1/4 x 18 7/8")	04-1018-W
Athracite Grey 260 x 412 x 480mm (10 1/4 x 16 1/4 x 18 7/8")	04-1018-AG

**Minimum Interior Cabinet Dimensions**

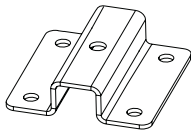
W x H x D 282 x 480 x 500mm (11 1/8 x 18 7/8 x 19 5/8")





### What's In The Box

1. x4

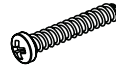


2. x16



Pan Head  
#8 x 5/8in

3. x6



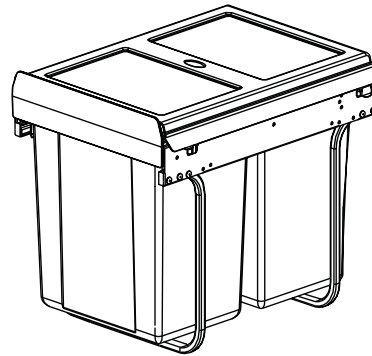
Pan Head  
#8 x 1in

4. x4

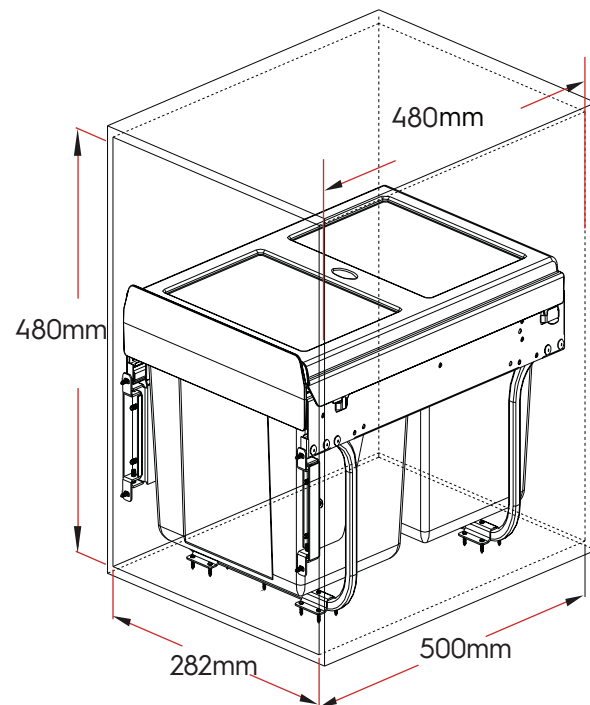
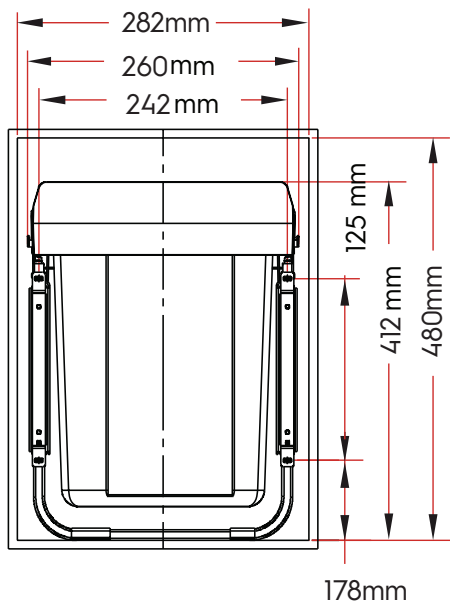


Pan Head  
#8 x 1/2in

5. x1

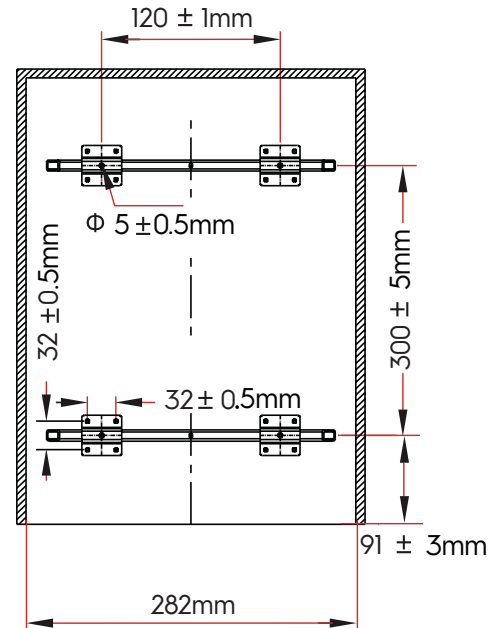
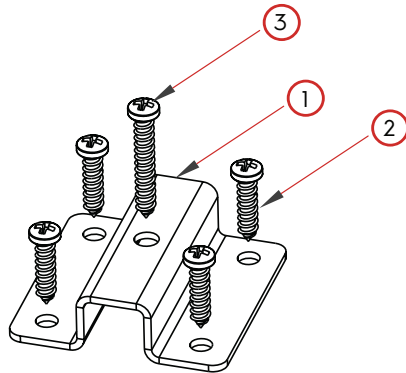


### Internal Cabinet Required Dimensions





### Bottom Bracket Drilling and Installation



### Door Mount Bracket Adjustment

± 2.5 MM  
(Horizontal adjustment)

