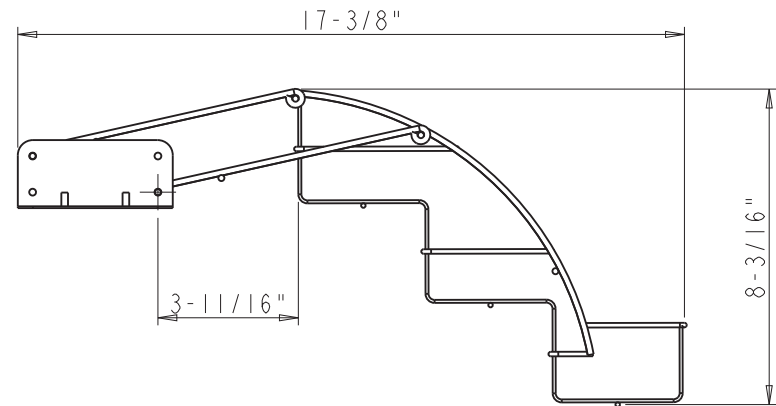
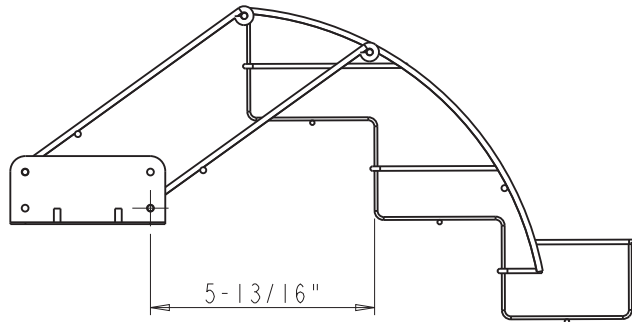
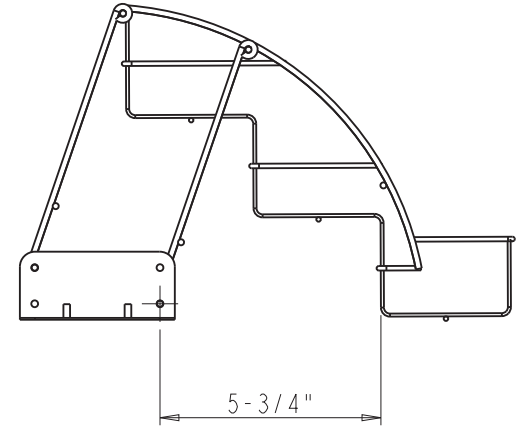
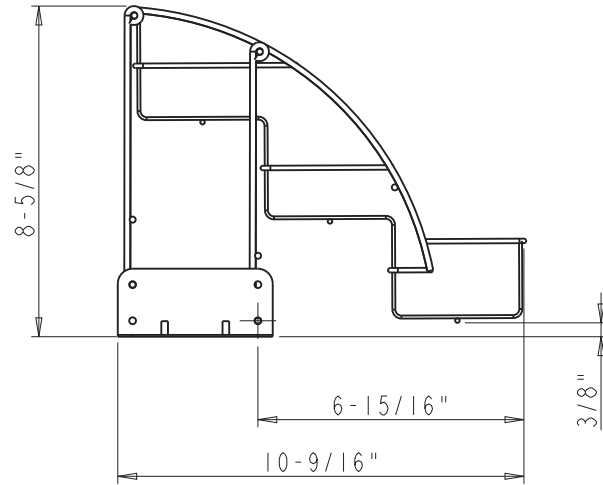
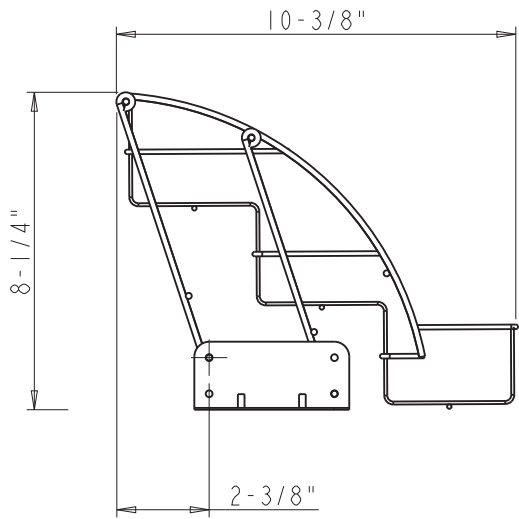
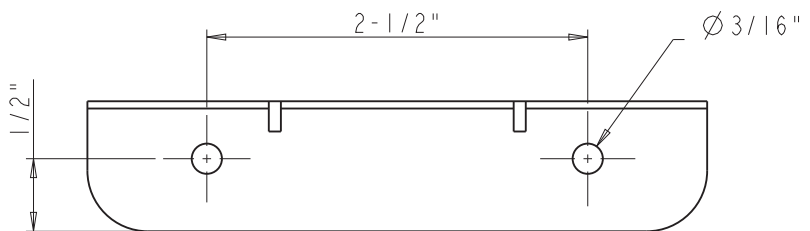
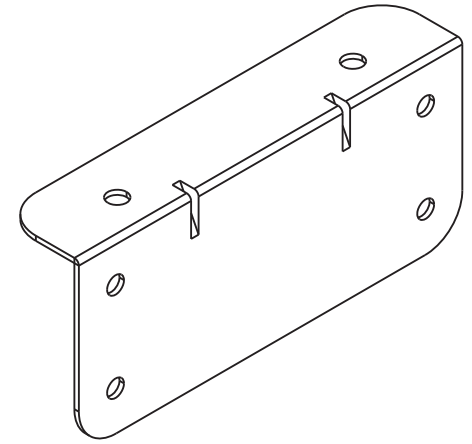
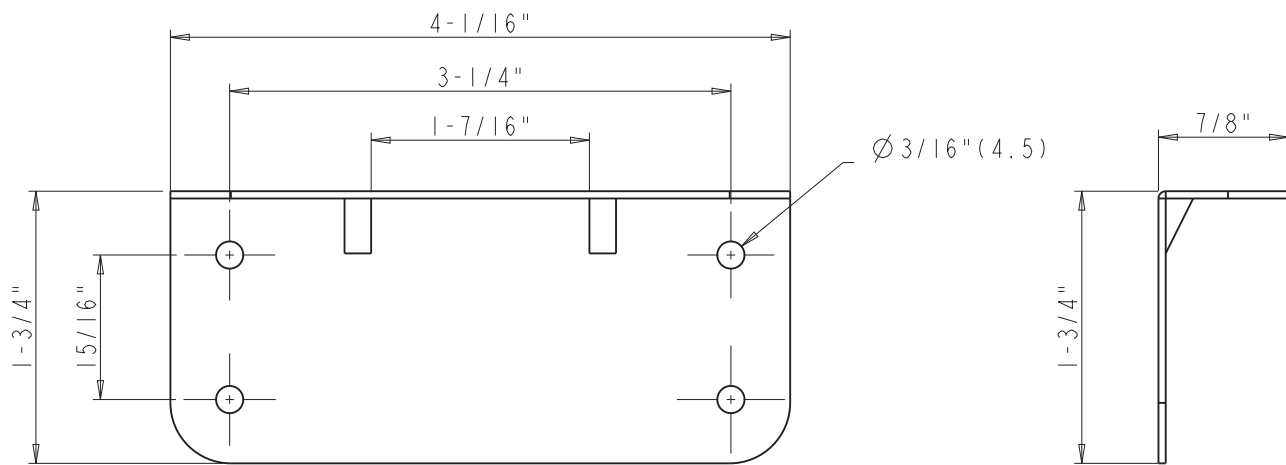


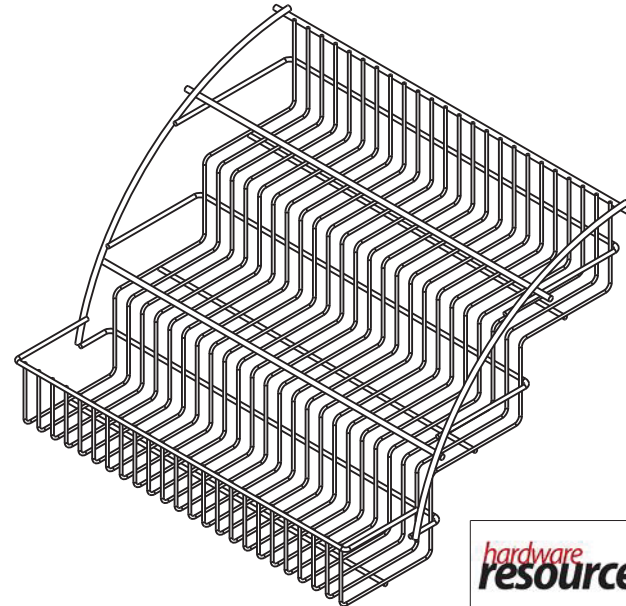
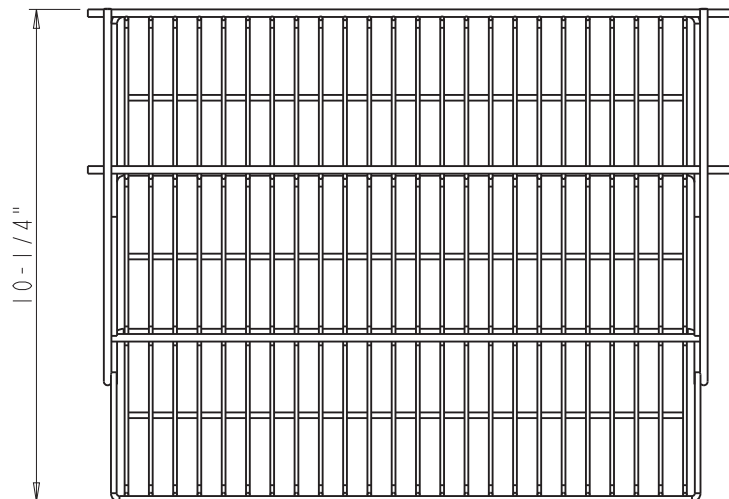
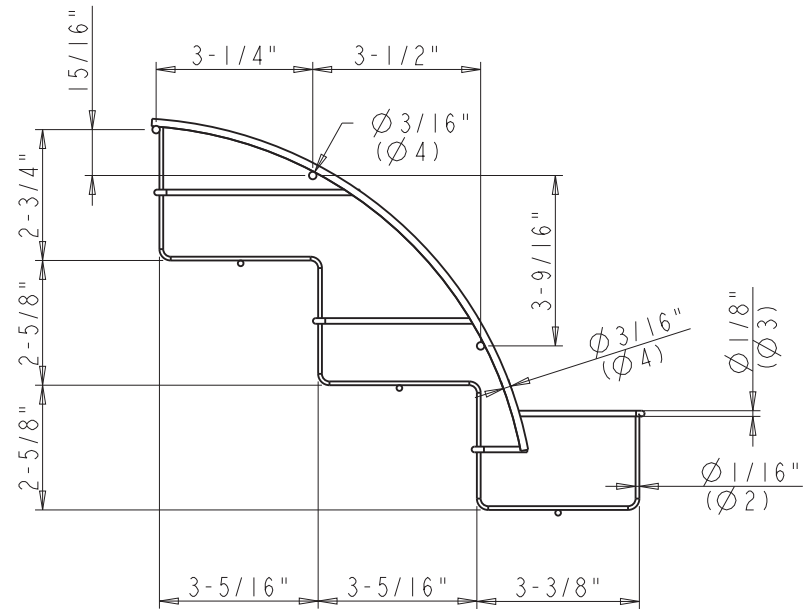
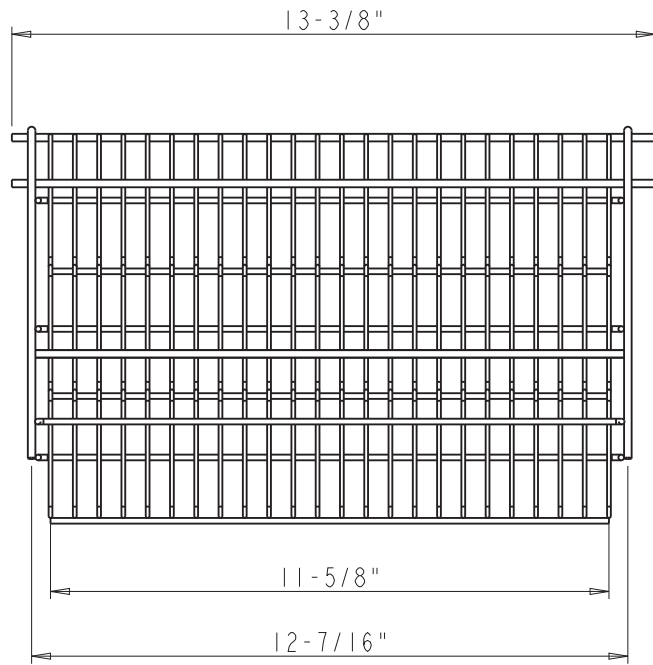
	ITEM:	PULL-DOWN-SPICE-RACK		MATERIAL:	
	FINISH:			WEIGHT: 0.000 g	
<b>PROPRIETARY AND CONFIDENTIAL</b> THE INFORMATION CONTAINED IN THIS DRAWING IS THE SOLE PROPERTY OF HARDWARE RESOURCES INC. ANY REPRODUCTION IN PART OR AS A WHOLE WITHOUT THE WRITTEN PERMISSION OF HARDWARE RESOURCES INC. IS PROHIBITED.	TOLERANCE UNLESS OTHERWISE SPECIFIED: X ±0.20 XX ±0.10 XXX ±0.05 ANGULAR: ±0.5° DO NOT SCALE DRAWING		UNITS: SIZE: A4 SHEET: 1 OF 2	DRAWN BY: <i>Hugo.cai</i> APPROVED BY: RELEASE LEVEL:	DATE: 06-04-15 DATE: REVISION:
			PROJECTION 		



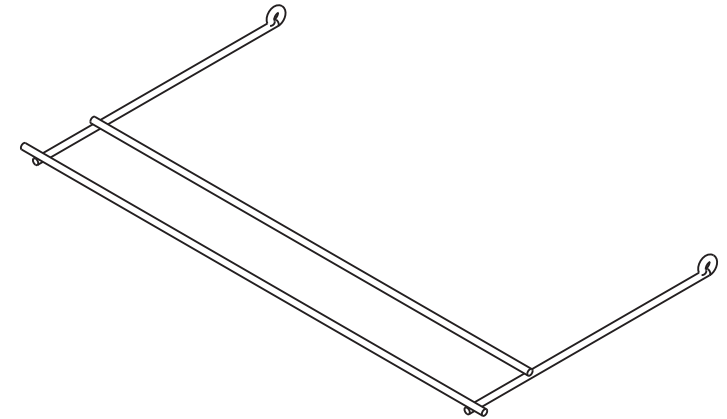
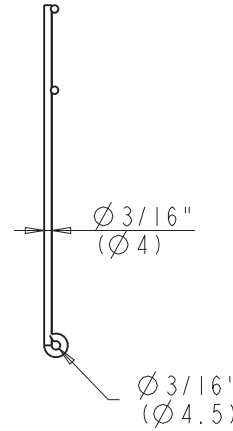
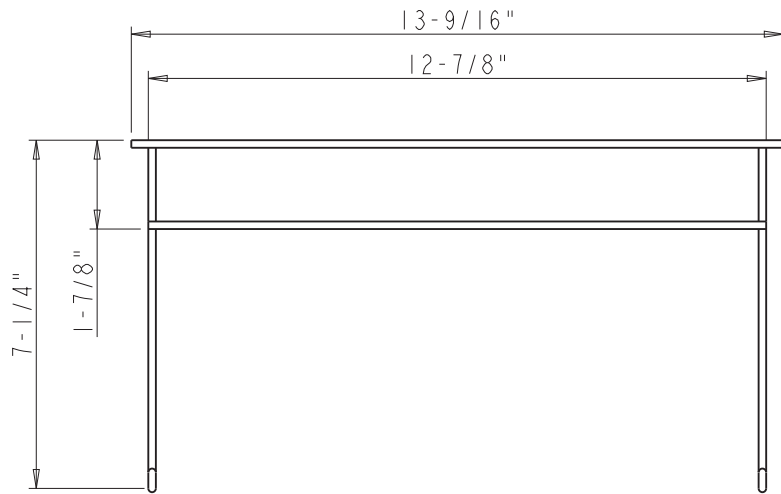
	ITEM:	PULL-DOWN-SPICE-RACK		MATERIAL:	
	FINISH:			WEIGHT: 0.000 g	
<b>PROPRIETARY AND CONFIDENTIAL</b>  THE INFORMATION CONTAINED IN THIS DRAWING IS THE SOLE PROPERTY OF HARDWARE RESOURCES INC. ANY REPRODUCTION IN PART OR AS A WHOLE WITHOUT THE WRITTEN PERMISSION OF HARDWARE RESOURCES INC. IS PROHIBITED.	TOLERANCE UNLESS OTHERWISE SPECIFIED: X ±0.20 XX ±0.10 XXX ±0.05 ANGULAR: ±0.5° DO NOT SCALE DRAWING		UNITS:  SIZE:  SHEET:	DRAWN BY: <i>Hugo.cai</i> APPROVED BY:  RELEASE LEVEL:	DATE: <b>06-04-15</b> DATE:  REVISION:
				PROJECTION 	



	ITEM#: BASE		MATERIAL: STEEL		
	FINISH:		WEIGHT: 60.000 g		
	PROPRIETARY AND CONFIDENTIAL		PROJECTION		
	THE INFORMATION CONTAINED IN THIS DRAWING IS THE SOLE PROPERTY OF HARDWARE RESOURCES INC. ANY REPRODUCTION IN PART OR AS A WHOLE WITHOUT THE WRITTEN PERMISSION OF HARDWARE RESOURCES INC. IS PROHIBITED.		TOLERANCE UNLESS OTHERWISE SPECIFIED: X ±0.20 XX ±0.10 XXX ±0.05 ANGULAR: ±0.5°		
UNITS:		DRAWN BY: <i>Hugo.cai</i>		DATE: 06-04-15	
SIZE: A4		APPROVED BY:		DATE:	
SHEET: 1 OF 1		RELEASE LEVEL:		REVISION:	
DO NOT SCALE DRAWING					



	ITEM:	BASKET		MATERIAL:	STEEL
	FINISH:			WEIGHT:	0.000 g
<b>PROPRIETARY AND CONFIDENTIAL</b> THE INFORMATION CONTAINED IN THIS DRAWING IS THE SOLE PROPERTY OF HARDWARE RESOURCES INC. ANY REPRODUCTION IN PART OR AS A WHOLE WITHOUT THE WRITTEN PERMISSION OF HARDWARE RESOURCES INC. IS PROHIBITED.	TOLERANCE UNLESS OTHERWISE SPECIFIED: X ±0.20 XX ±0.10 XXX ±0.05 ANGULAR: ±0.5°	UNITS: SIZE: SHEET:	DRAWN BY: <i>Hugo.cai</i> APPROVED BY:	DATE: 02-26-15 DATE: DATE: REVISION:	PROJECTION 
DO NOT SCALE DRAWING	1 OF 1	A4	RELEASE LEVEL:		



	ITEM#: ROD		MATERIAL: STEEL	
	FINISH:		WEIGHT: 106.000 g	
	PROJECTION			
<p><b>PROPRIETARY AND CONFIDENTIAL</b></p> <p>THE INFORMATION CONTAINED IN THIS DRAWING IS THE SOLE PROPERTY OF HARDWARE RESOURCES INC. ANY REPRODUCTION IN PART OR AS A WHOLE WITHOUT THE WRITTEN PERMISSION OF HARDWARE RESOURCES INC. IS PROHIBITED.</p>	<p>TOLERANCE UNLESS OTHERWISE SPECIFIED:</p> <p>X ±0.20</p> <p>XX ±0.10</p> <p>XXX ±0.05</p> <p>ANGULAR: ±0.5°</p> <p>DO NOT SCALE DRAWING</p>	<p>UNITS:</p> <p>SIZE: A4</p> <p>SHEET: 1 OF 1</p>	<p>DRAWN BY: Hugo.cai</p> <p>APPROVED BY:</p> <p>RELEASE LEVEL:</p>	<p>DATE: 06-04-15</p> <p>DATE:</p> <p>REVISION:</p>